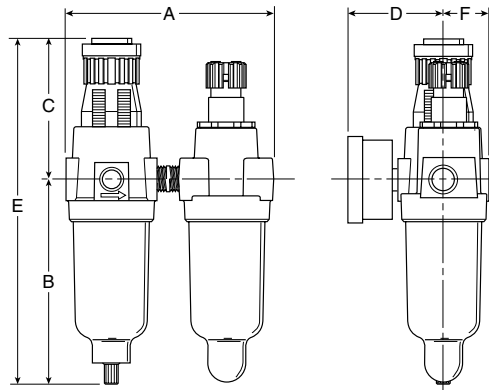
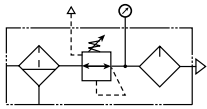


Close Nippled Combinations – 14 Miniature Series

- See individual component pages for details.

Two-Unit Combo



| Series | Port | Model Numbers |
|--------|------|---------------|
| 14G | 1/8" | 14G01B13F0G* |
| | 1/4" | 14G11B13F0G* |

For other models, refer to ordering information on next page.

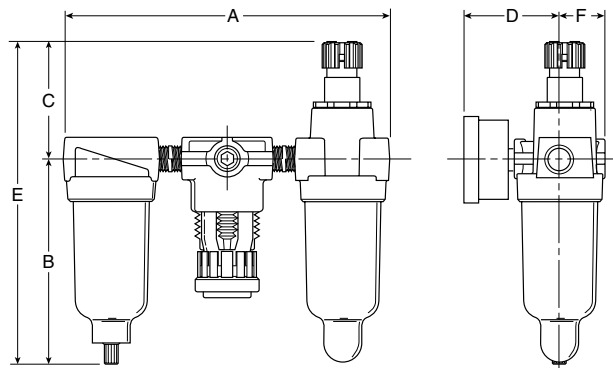
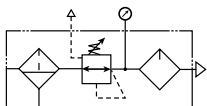
| A | B | C | D | E | F |
|--------------|--------------|--------------|--------------|---------------|--------------|
| 3.75 (95) | 3.79 (96) | 2.42 (61) | 2.04 (52) | 6.21 (158) | 0.79 (20) |

Inches (mm)

Note: All dimensions nominal.

- Regulator can be mounted with knob in up or down position.

Three-Unit Combo



| Series | Port | Model Numbers |
|--------|------|---------------|
| 14A | 1/8" | 14A01B13F0G* |
| | 1/4" | 14A11B13F0G* |

For other models, refer to ordering information on next page.

| A | B | C | D | E | F |
|---------------|--------------|--------------|--------------|---------------|--------------|
| 5.77 (147) | 3.82 (97) | 2.16 (55) | 2.04 (52) | 5.98 (152) | 0.79 (20) |

Inches (mm)

Note: All dimensions nominal.

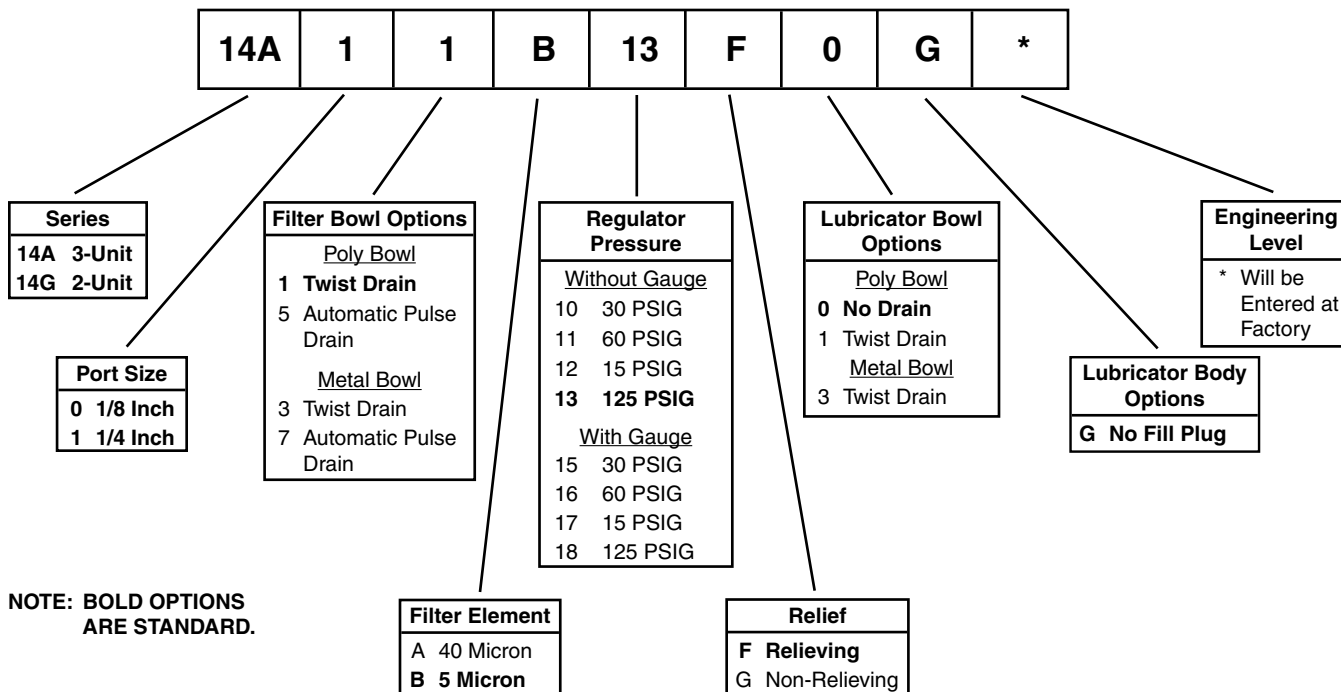
LSR Distribuidor

Glorias No. 4 Col. San Rafael Chamapa

Tel 0155 5300 7008 / 5300 4245

Close Nipped Combinations – 14 Miniature Series

Ordering Information

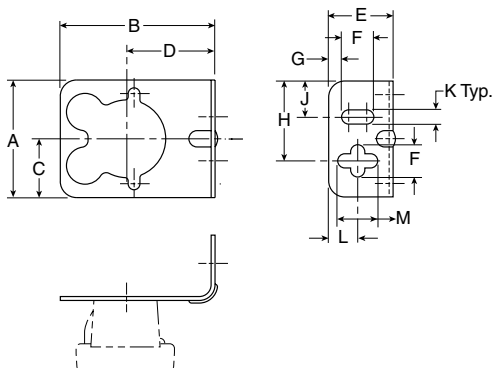


CAUTION:

REGULATOR PRESSURE ADJUSTMENT – The working range of knob adjustment is designed to permit outlet pressures within their full range. Pressure adjustment beyond this range is also possible because the knob is not a limiting device. This is a common characteristic of most industrial regulators, and limiting devices may be obtained only by special design. For best performance, regulated pressure should always be set by increasing the pressure up to the desired setting.

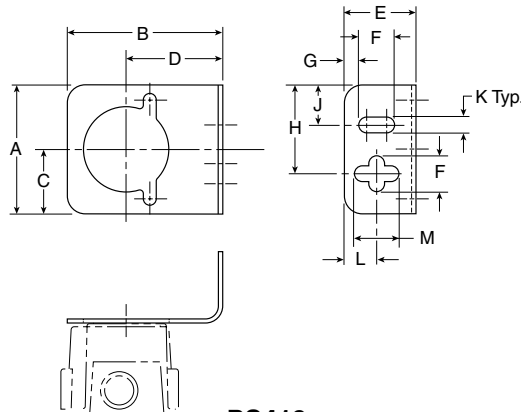
⚠ WARNING

**Product rupture can cause serious injury.
Do not connect regulator to bottled gas.
Do not exceed maximum primary pressure rating.**



PS417BP

(Includes Panel Mount Nut)



PS419

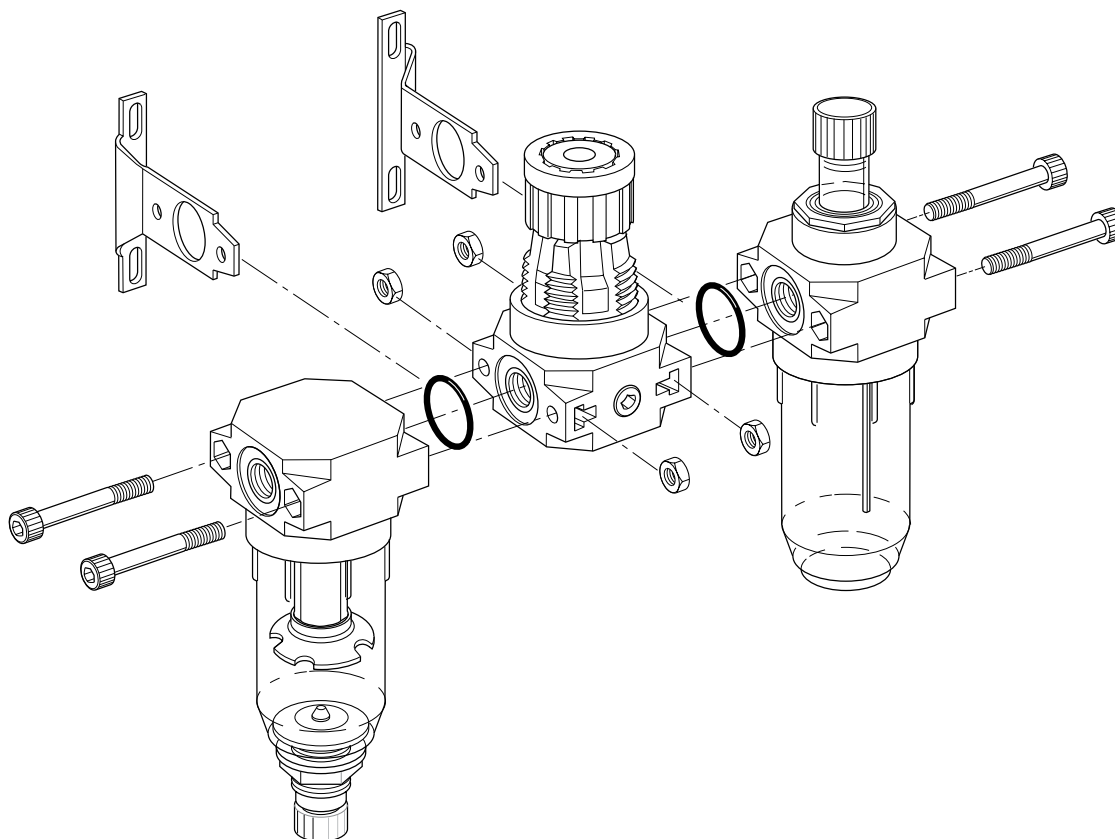
Dimensions

| A | B | C | D | E | F | G | H | J | K | L | M | Kit |
|--------------|--------------|--------------|--------------|--------------|--------------|-------------|--------------|--------------|-------------|--------------|--------------|---|
| 1.80 (46) | 2.37 (60) | 0.90 (23) | 1.35 (34) | 1.00 (25) | 0.50 (13) | 0.20 (5) | 1.24 (31) | 0.56 (14) | 0.22 (6) | 0.45 (11) | 0.62 (16) | PS417BP (10F, 14F, P3A, 14R, 14E) |
| 1.80 (46) | 2.17 (55) | 0.90 (23) | 1.35 (34) | 1.00 (25) | 0.50 (13) | 0.20 (5) | 1.24 (31) | 0.56 (14) | 0.22 (6) | 0.45 (11) | 0.62 (16) | PS419 (04L) |

Inches (mm)

Modular Combinations – P3A Miniature Series

- Attractive.
- Versatile.
- Semi-modular design.
- 1/8" and 1/4" pipe sizes available.
- 5 micron filter as standard.
- Light-weight corrosion resistant plastic body.
- Durable piston or diaphragm design regulator.
- Fingertip lubricator adjustment.
- Can be assembled using either standard pipe nipples or semi-modular assembly hardware.



| To Assemble and/or Wall Mount a . . . | | | | Use for Standard Mounting | Or | Use for Wall Mounting |
|---------------------------------------|-----------|--------------------|------------|---------------------------|----|------------------------|
| Filter | Regulator | Filter / Regulator | Lubricator | (Qty) Std. Kit | | (Qty) Kit & Wall Mount |
| X | | | | | | (1) P3A-KA00CFN† |
| | X | | | | | (1) PS417BP† |
| | | X | | | | (1) P3A-KA00MRN† |
| | | | X | | | (1) P3A-KA00CFN† |
| X | X | | | (1) P3A-KA00CDN* | | (1) P3A-KA00CFN** |
| X | | | X | (1) P3A-KA00CEN* | | (1) P3A-KA00CGN** |
| | X | | X | (1) P3A-KA00CDN* | | (1) P3A-KA00CFN** |
| | | X | X | (1) P3A-KA00CDN* | | (1) P3A-KA00CFN** |
| X | X | | X | (2) P3A-KA00CDN* | | (2) P3A-KA00CFN** |

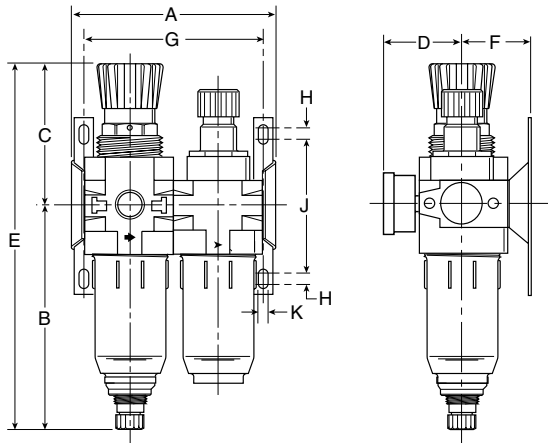
* Includes hardware to assemble semi-modular units to one another.

† Includes wall bracket and assembly hardware for single unit.

** Includes hardware to assemble semi-modular units to one another and one wall bracket.

Modular Combinations – P3A Miniature Series

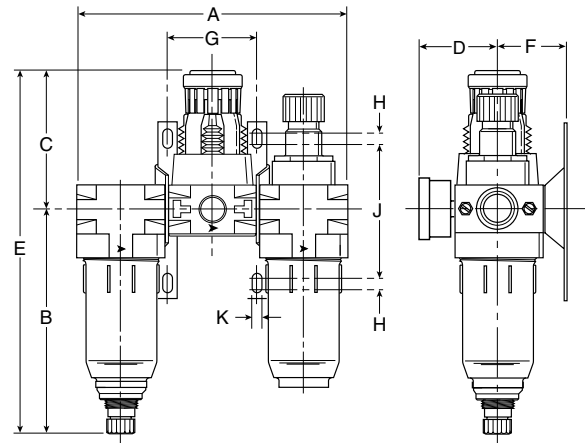
Two-Unit Combo



| P3A 2-Unit Combo Dimensions | | | | | |
|-----------------------------|---------------|--------------|--------------|--------------|---------------|
| A | B | B* | C | D | E |
| 3.78 (96) | 3.98 (101) | 3.72 (95) | 2.52 (64) | 2.06 (52) | 6.50 (165) |
| F | G | H | J | K | |
| 1.22 (31) | 1.57 (40) | 0.20 (5) | 1.97 (50) | 0.20 (5) | |

Inches (mm)
* With Auto Drain

Three-Unit Combo



| P3A 3-Unit Combo Dimensions | | | | | |
|-----------------------------|---------------|--------------|--------------|--------------|---------------|
| A | B | B* | C | D | E |
| 4.84 (1236) | 3.98 (101) | 3.72 (95) | 2.46 (63) | 2.06 (52) | 6.44 (164) |
| F | G | H | J | K | |
| 1.22 (31) | 1.63 (42) | 0.20 (5) | 1.97 (50) | 0.20 (5) | |

Inches (mm)
* With Auto Drain

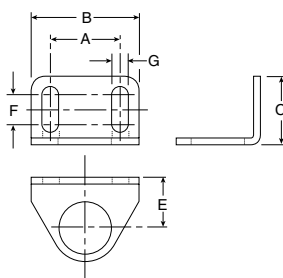
CAUTION:

REGULATOR PRESSURE ADJUSTMENT – The working range of knob adjustment is designed to permit outlet pressures within their full range. Pressure adjustment beyond this range is also possible because the knob is not a limiting device. This is a common characteristic of most industrial regulators, and limiting devices may be obtained only by special design. For best performance, regulated pressure should always be set by increasing the pressure up to the desired setting.

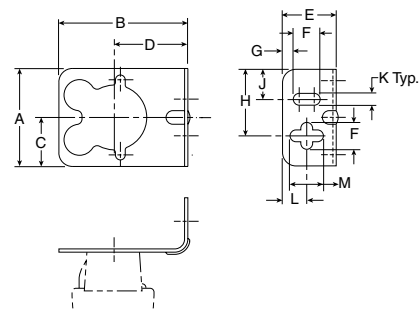
⚠ WARNING

**Product rupture can cause serious injury.
Do not connect regulator to bottled gas.
Do not exceed maximum primary pressure rating.**

Wall Mounting Bracket



P3A-KA00MRN



PS417BP
(Includes Panel Mount Nut)

Dimensions

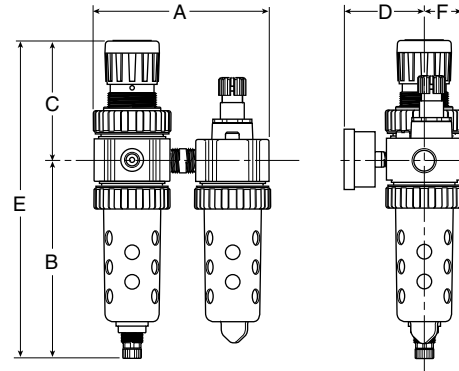
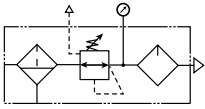
| A | B | C | D | E | F | G | H | J | K | L | M | Kit |
|--------------|--------------|--------------|--------------|--------------|--------------|-------------|--------------|--------------|-------------|--------------|--------------|---|
| 1.57 (40) | 2.05 (52) | 0.98 (25) | 1.81 (46) | 1.23 (31) | 0.47 (12) | 0.21 (5) | — | — | — | — | — | P3A-KA00MRN |
| 1.80 (46) | 2.37 (60) | 0.90 (23) | 1.35 (34) | 1.00 (25) | 0.50 (13) | 0.20 (5) | 1.24 (31) | 0.56 (14) | 0.22 (6) | 0.45 (11) | 0.62 (16) | PS417BP (10F, 14F, P3A, 14R, 14E) |

Inches (mm)

Close Nippled Combinations – 05 Economy Series

- Regulator can be mounted with knob in up or down position.
- See individual component pages for details.

Two-Unit Combo



| Series | Port | Model Numbers |
|--------|------|---------------|
| 15G | 1/4" | 15G12A13A2N* |
| | 3/8" | 15G22A13A2N* |

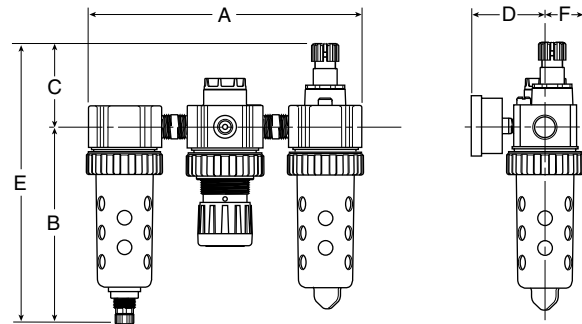
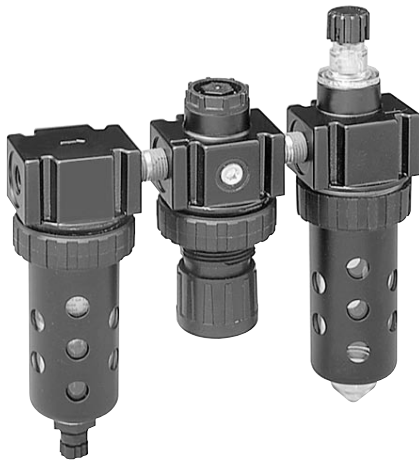
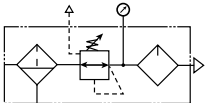
For other models, refer to ordering information on next page.

| A | B | C | D | E | F |
|---------------|---------------|--------------|--------------|---------------|--------------|
| 4.49 (114) | 5.35 (136) | 3.16 (80) | 2.05 (52) | 8.50 (216) | 1.03 (26) |

Inches (mm)

Note: All dimensions nominal.

Three-Unit Combo



| Series | Port | Model Numbers |
|--------|------|---------------|
| 15A | 1/4" | 15A12A13A2N* |
| | 3/8" | 15A22A13A2N* |

For other models, refer to ordering information on next page.

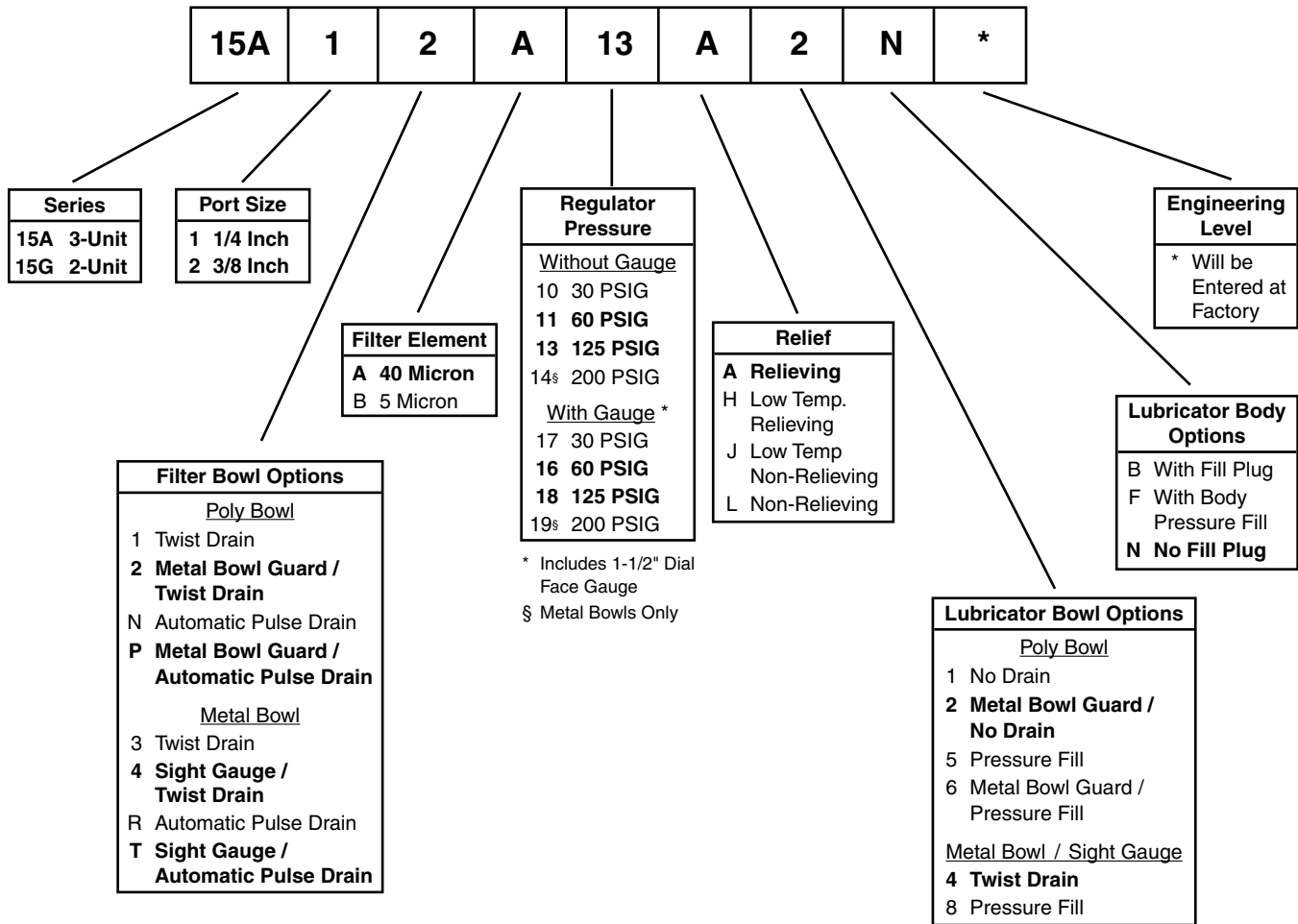
| A | B | C | D | E | F |
|---------------|---------------|--------------|--------------|---------------|--------------|
| 7.00 (178) | 5.35 (136) | 2.24 (57) | 2.05 (52) | 7.59 (193) | 1.03 (26) |

Inches (mm)

Note: All dimensions nominal.

Close Nipped Combinations – 05 Economy Series

Ordering Information



NOTE: BOLD OPTIONS ARE STANDARD.

CAUTION:

REGULATOR PRESSURE ADJUSTMENT – The working range of knob adjustment is designed to permit outlet pressures within their full range. Pressure adjustment beyond this range is also possible because the knob is not a limiting device. This is a common characteristic of most industrial regulators, and limiting devices may be obtained only by special design.
 For best performance, regulated pressure should always be set by increasing the pressure up to the desired setting.

| |
|---|
| WARNING Product rupture can cause serious injury. Do not connect regulator to bottled gas. Do not exceed maximum primary pressure rating. |
|---|

Kits & Accessories (See individual component sections for other kits and accessories.)

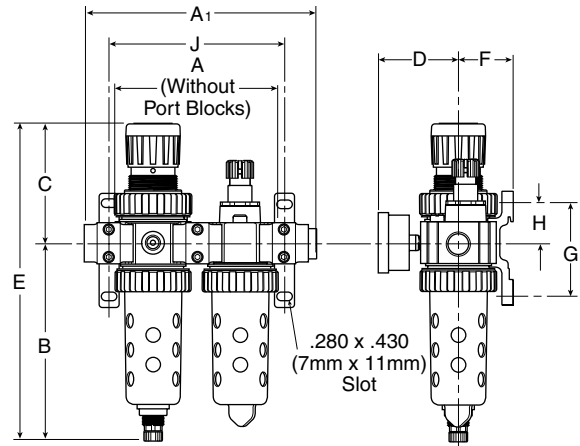
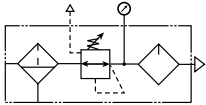
Mounting Bracket KitPS963P
 (Includes Panel Mount Nut)



Modular Combinations – 05 Economy Series

- Regulator can be mounted with knob in up or down position.
- See individual component pages for details.
- Gauges, Port Blocks, Manifold Blocks and Ball Valve must be ordered separately.

Two-Unit Combo



| Series | Port | Model Numbers |
|--------|------|---------------|
| 15H | 1/4" | 15H12A13A2N* |
| | 3/8" | 15H22A13A2N* |

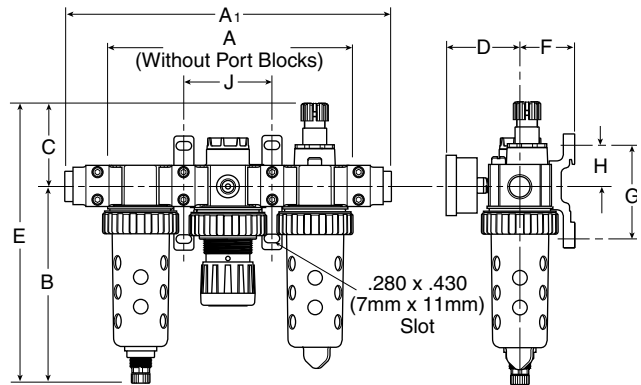
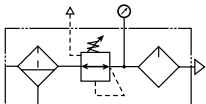
For other models, refer to ordering information on next page.

| A | A ₁ | B | C | D | E | F |
|---------------|----------------|---------------|--------------|--------------|---------------|--------------|
| 4.33 (110) | 6.38 (162) | 5.35 (136) | 3.15 (80) | 2.05 (52) | 8.50 (216) | 1.45 (37) |
| G | H | J | | | | |
| 2.60 (66) | 1.14 (29) | 4.72 (120) | | | | |

Inches (mm)

- All dimensions nominal.
- Mounting brackets not included.

Three-Unit Combo



| Series | Port | Model Numbers |
|--------|------|---------------|
| 15B | 1/4" | 15B12A13A2N* |
| | 3/8" | 15B22A13A2N* |

For other models, refer to ordering information on next page.

| A | A ₁ | B | C | D | E | F |
|---------------|----------------|---------------|--------------|--------------|---------------|--------------|
| 6.70 (170) | 8.72 (222) | 5.35 (136) | 2.24 (57) | 2.05 (52) | 7.59 (193) | 1.45 (37) |
| G | H | J | | | | |
| 2.60 (66) | 1.14 (29) | 2.35 (600) | | | | |

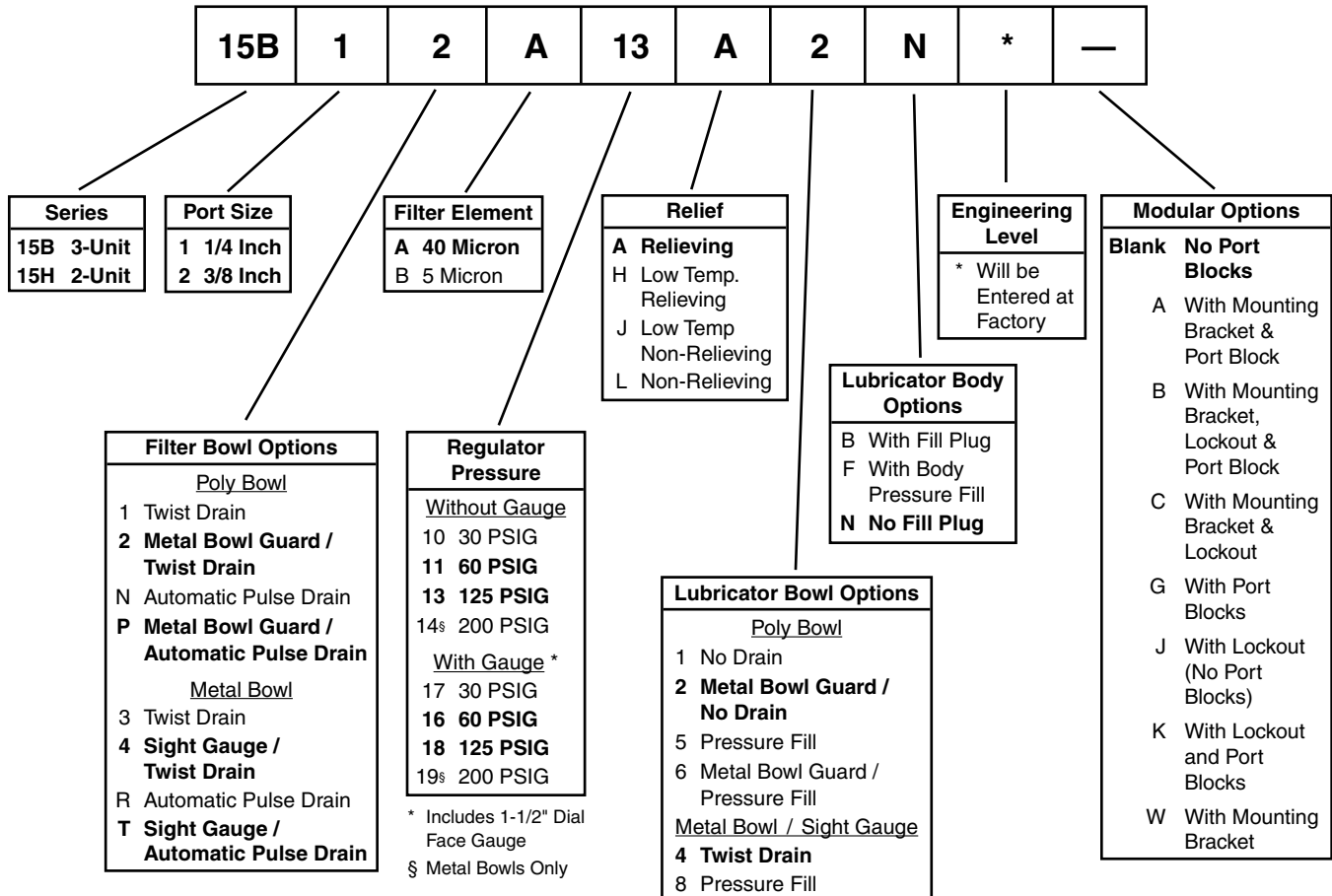
Inches (mm)

- All dimensions nominal.
- Mounting brackets not included.



Modular Combinations – 05 Economy Series

Ordering Information



NOTE: BOLD OPTIONS ARE STANDARD.

CAUTION:

REGULATOR PRESSURE ADJUSTMENT – The working range of knob adjustment is designed to permit outlet pressures within their full range. Pressure adjustment beyond this range is also possible because the knob is not a limiting device. This is a common characteristic of most industrial regulators, and limiting devices may be obtained only by special design.
 For best performance, regulated pressure should always be set by increasing the pressure up to the desired setting.

⚠ WARNING

**Product rupture can cause serious injury.
 Do not connect regulator to bottled gas.
 Do not exceed maximum primary pressure rating.**

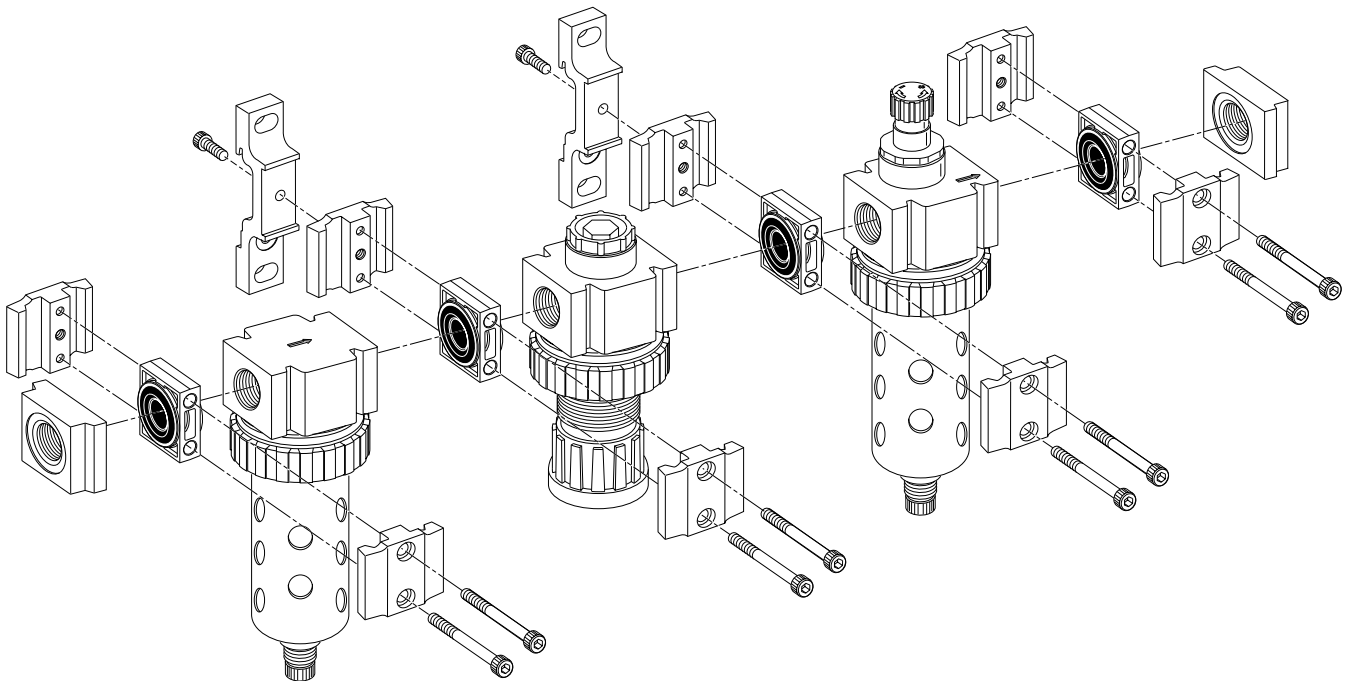
Kits & Accessories (See individual component sections for other kits and accessories.)

| | |
|---|--|
| Body Connector Kit PS954P Lockout Valve PS95601P Manifold Block PS95701P 3-Way Modular Block PS97501P Pressure Switches – DIN Connectors P01909 Flying Leads P01908 | Wall Mounting Kit PS955P Port Block Kits: 1/8" 1/4" 3/8" NPT PS95000P PS95001P PS95002P BSPP PS95010P PS95011P PS95012P BSPT PS95020P PS95021P PS95022P |
|---|--|





Modular Accessories – 05 Economy Series

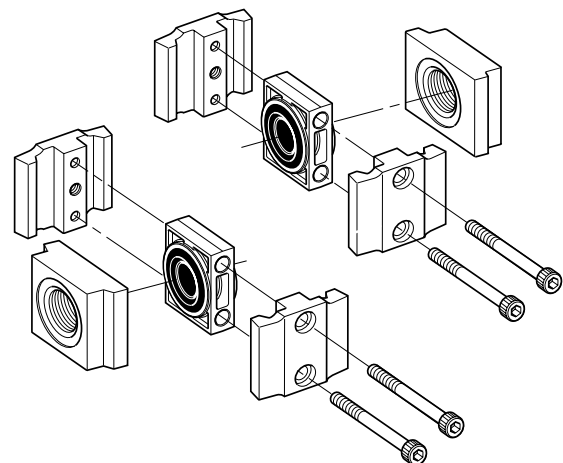
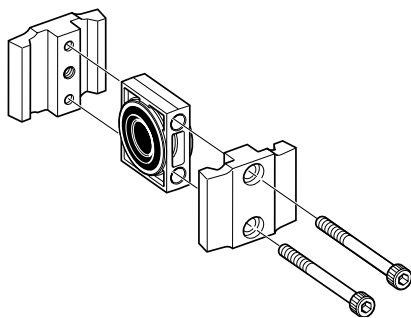


Port Block Connector Kits

| | 1/8" | 1/4" | 3/8" |
|------------|----------|----------|----------|
| NPT | PS95000P | PS95001P | PS95002P |
| BSPP | PS95010P | PS95011P | PS95012P |
| BSPT | PS95020P | PS95021P | PS95022P |

Body Connectors

PS954P



Body Connectors allow you to easily assemble and disassemble Modular Combinations.

Body Connectors are required whenever you assemble two or more pieces together.

Each Kit includes one set.

Port Block Connectors allow you to make threaded port connections to Modular units and are available in various port sizes to match your system requirements.

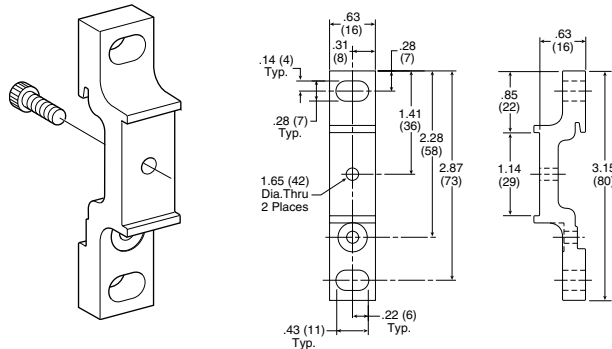
Each Kit includes all the necessary pieces to make two port connections.



Modular Accessories – 05 Economy Series

Wall Mounting Kits

PS955P



Wall Mounting Kits are available for mounting your Modular Assemblies and can be assembled and used with any standard body connector set.

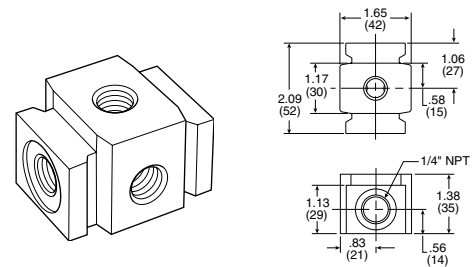
Since Modular Combinations are always identical in size, you can predrill for wall mounting on your equipment.

Kit includes 1 assembly.

Modular Manifold Block

PS95701P

1/4" Port



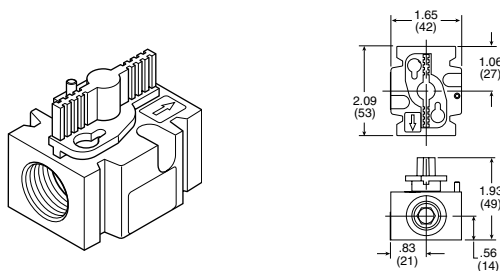
A Modular Manifold Block can be used between any two Modular units to give additional outlet ports. The 1/4" Manifold Block provides three additional outlets. Any standard pipe plug can be used to close off unused ports.

NOTE: Body Connectors are not supplied with Manifold Blocks.

Lockout Valve

PS95601P

1/4" Port



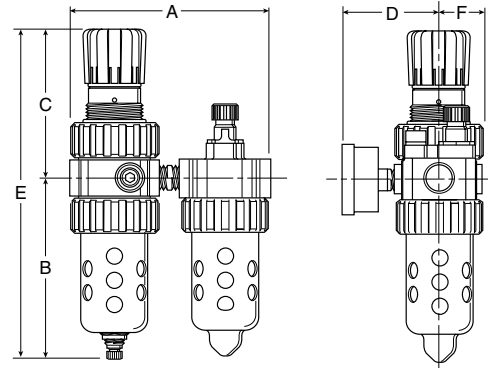
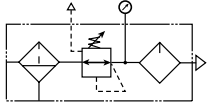
Lockout Valves provide positive shut-off and exhaust capability to isolate Modular units so they can be easily removed from the line and can be locked in a closed position. Center position can be used as a slow start for 06 and 07 series. Accepts #3 padlock.

NOTE: Body Connectors are not supplied with Lockout Valves.

Close Nippled Combinations – 06 Compact & 07 Standard Series

- See individual component pages for details.

Two-Unit Combo



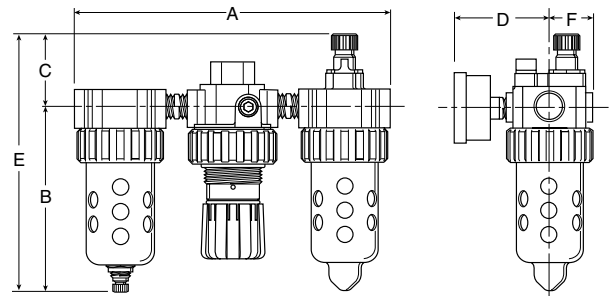
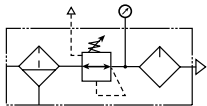
| Series | Model Numbers | Port | Model Numbers | Series |
|--------|---------------|------|---------------|--------|
| 06G | 06G12A13A2B* | 1/4" | 16G12A13A2B* | 16G |
| | 06G22A13A2B* | 3/8" | 16G22A13A2B* | |
| | 06G32A13A2B* | 1/2" | 16G32A13A2B* | |
| 07G | 07G22A13A2B* | 3/8" | 17G22A13A2B* | 17G |
| | 07G32A13A2B* | 1/2" | 17G32A13A2B* | |
| | 07G42A13A2B* | 3/4" | 17G42A13A2B* | |

| 06G, 16G Series | | | | | |
|-----------------|---------------|---------------|--------------|----------------|--------------|
| A | B | C | D | E | F |
| 6.13 (156) | 5.69 (145) | 4.69 (119) | 3.18 (81) | 10.38 (264) | 1.37 (35) |
| 07G, 17G Series | | | | | |
| A | B | C | D | E | F |
| 6.99 (178) | 6.97 (177) | 4.79 (122) | 3.44 (87) | 11.76 (299) | 1.63 (41) |

Inches (mm)
• All dimensions nominal.

For other models, refer to ordering information on next page.

Three-Unit Combo



| Series | Model Numbers | Port | Model Numbers | Series |
|--------|---------------|------|---------------|--------|
| 06A | 06A12A13A2B* | 1/4" | 16A12A13A2B* | 16A |
| | 06A22A13A2B* | 3/8" | 16A22A13A2B* | |
| | 06A32A13A2B* | 1/2" | 16A32A13A2B* | |
| 07A | 07A22A13A2B* | 3/8" | 17A22A13A2B* | 17A |
| | 07A32A13A2B* | 1/2" | 17A32A13A2B* | |
| | 07A42A13A2B* | 3/4" | 17A42A13A2B* | |

| 06A, 16A Series | | | | | |
|-----------------|---------------|--------------|--------------|---------------|--------------|
| A | B | C | D | E | F |
| 9.45 (240) | 5.69 (145) | 2.24 (57) | 3.18 (81) | 7.93 (201) | 1.37 (35) |
| 07A, 17A Series | | | | | |
| A | B | C | D | E | F |
| 10.74 (2738) | 6.97 (177) | 2.41 (61) | 3.44 (87) | 9.38 (238) | 1.63 (41) |

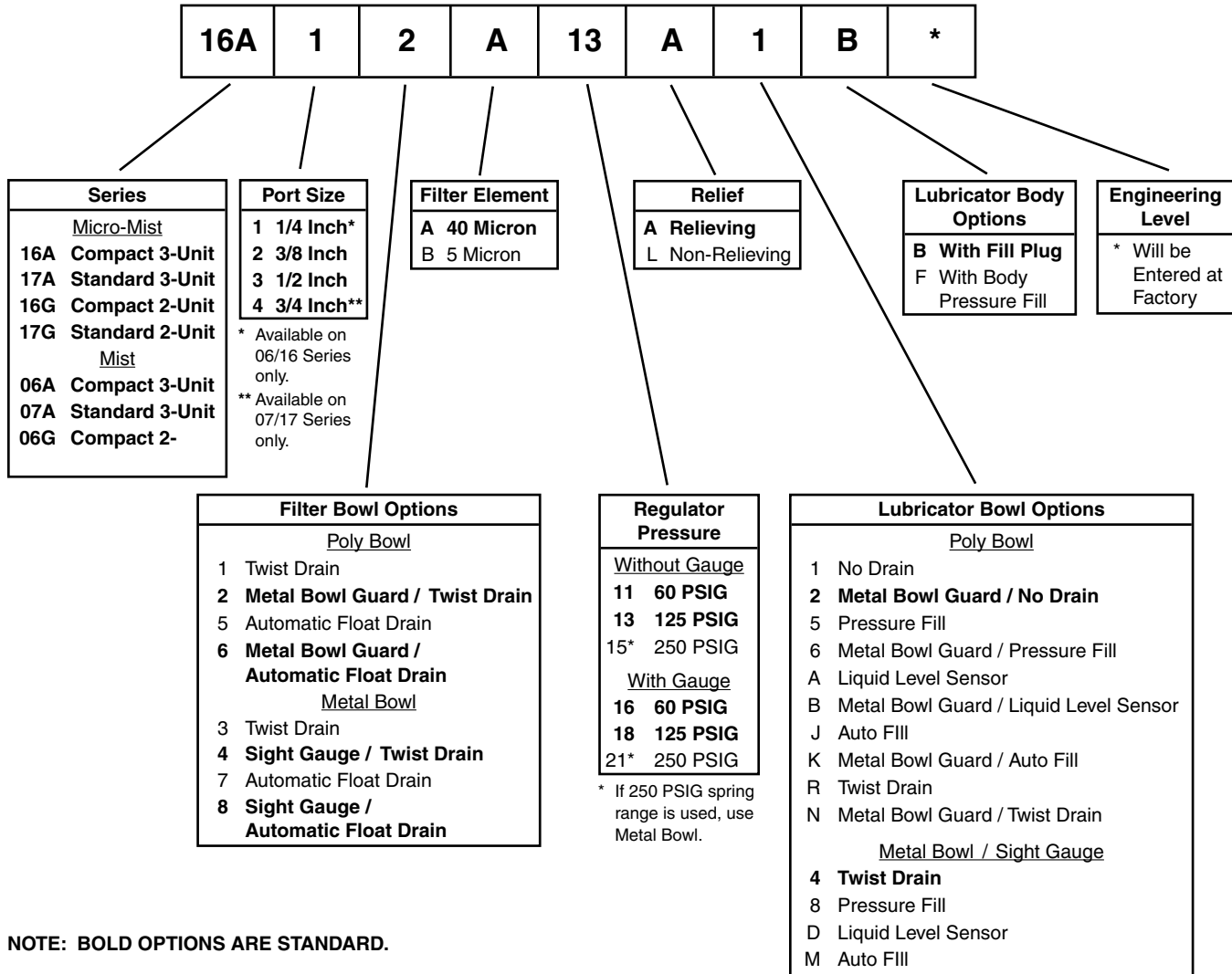
Inches (mm)
• All dimensions nominal.

For other models, refer to ordering information on next page.



Close Nipped Combinations – 06 Compact & 07 Standard Series

Ordering Information



NOTE: BOLD OPTIONS ARE STANDARD.

CAUTION:

REGULATOR PRESSURE ADJUSTMENT – The working range of knob adjustment is designed to permit outlet pressures within their full range. Pressure adjustment beyond this range is also possible because the knob is not a limiting device. This is a common characteristic of most industrial regulators, and limiting devices may be obtained only by special design. For best performance, regulated pressure should always be set by increasing the pressure up to the desired setting.

| |
|---|
| <p>⚠ WARNING</p> <p>Product rupture can cause serious injury.</p> <p>Do not connect regulator to bottled gas.</p> <p>Do not exceed maximum primary pressure rating.</p> |
|---|

Kits & Accessories (See individual component sections for other kits and accessories.)

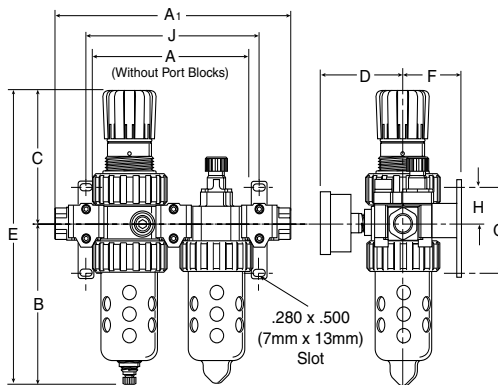
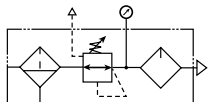
| | |
|--|--------|
| Mounting Bracket Kit (Includes Panel Mount Nut) | |
| 06A, 16A, 06G, 16G | PS707P |
| 07A, 17A, 07G, 17G | PS807P |



Modular Combinations – 06 Compact & 07 Standard Series

- See individual component pages for details.

Two-Unit Combo



| Series | Model Numbers | Port | Model Numbers | Series |
|--------|---------------|-------|---------------|--------|
| 06H | 06H12A13A2B* | 1/4" | 16H12A13A2B* | 16H |
| | 06H22A13A2B* | 3/8" | 16H22A13A2B* | |
| | 06H32A13A2B*G | 1/2"† | 16H32A13A2B*G | |
| 07H | 07H22A13A2B* | 3/8" | 17H22A13A2B* | 17H |
| | 07H32A13A2B* | 1/2" | 17H32A13A2B* | |
| | 07H42A13A2B* | 3/4" | 17H42A13A2B* | |

| 06H, 16H Series | | | | | |
|--------------------|----------------------------------|--------------------|--------------------|-------------------|---------------------|
| A 6.10 (155) | A ₁ 9.04 (230) | B 5.69 (145) | C 4.69 (119) | D 3.18 (81) | E 10.38 (264) |
| F 2.00 (51) | G 3.58 (91) | H 1.40 (36) | J 6.65 (169) | | |
| 07H, 17H Series | | | | | |
| A 7.00 (178) | A ₁ 10.28 (261) | B 6.97 (177) | C 4.79 (122) | D 3.44 (87) | E 11.76 (299) |
| F 2.18 (55) | G 3.58 (91) | H 1.40 (36) | J 7.51 (191) | | |

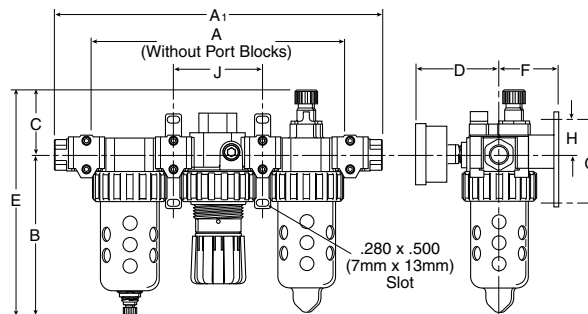
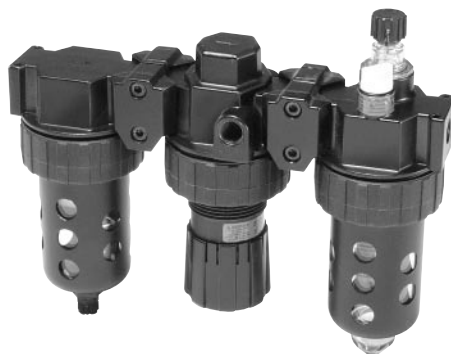
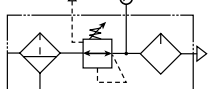
For other models, refer to ordering information on next page.

† 06 / 16 Available with Port Blocks Only.

Inches (mm)

• All dimensions nominal.

Three-Unit Combo



| Series | Model Numbers | Port | Model Numbers | Series |
|--------|---------------|-------|---------------|--------|
| 06B | 06B12A13A2B* | 1/4" | 16B12A13A2B* | 16B |
| | 06B22A13A2B* | 3/8" | 16B22A13A2B* | |
| | 06B32A13A2B*G | 1/2"† | 16B32A13A2B*G | |
| 07B | 07B22A13A2B* | 3/8" | 17B22A13A2B* | 17B |
| | 07B32A13A2B* | 1/2" | 17B32A13A2B* | |
| | 07B42A13A2B* | 3/4" | 17B42A13A2B* | |

| 06B, 16B Series | | | | | |
|----------------------|----------------------------------|--------------------|-------------------|-------------------|--------------------|
| A 9.46 (240) | A ₁ 12.39 (315) | B 5.69 (145) | C 2.24 (57) | D 3.18 (81) | E 7.82 (199) |
| F 2.00 (51) | G 3.58 (91) | H 1.40 (36) | J 3.33 (85) | | |
| 07B, 17B Series | | | | | |
| A 10.750 (273) | A ₁ 14.03 (356) | B 6.97 (177) | C 2.41 (61) | D 3.44 (87) | E 9.27 (235) |
| F 2.18 (55) | G 3.58 (91) | H 1.40 (36) | J 3.76 (95) | | |

For other models, refer to ordering information on next page.

† 06 / 16 Available with Port Blocks Only.

Inches (mm)

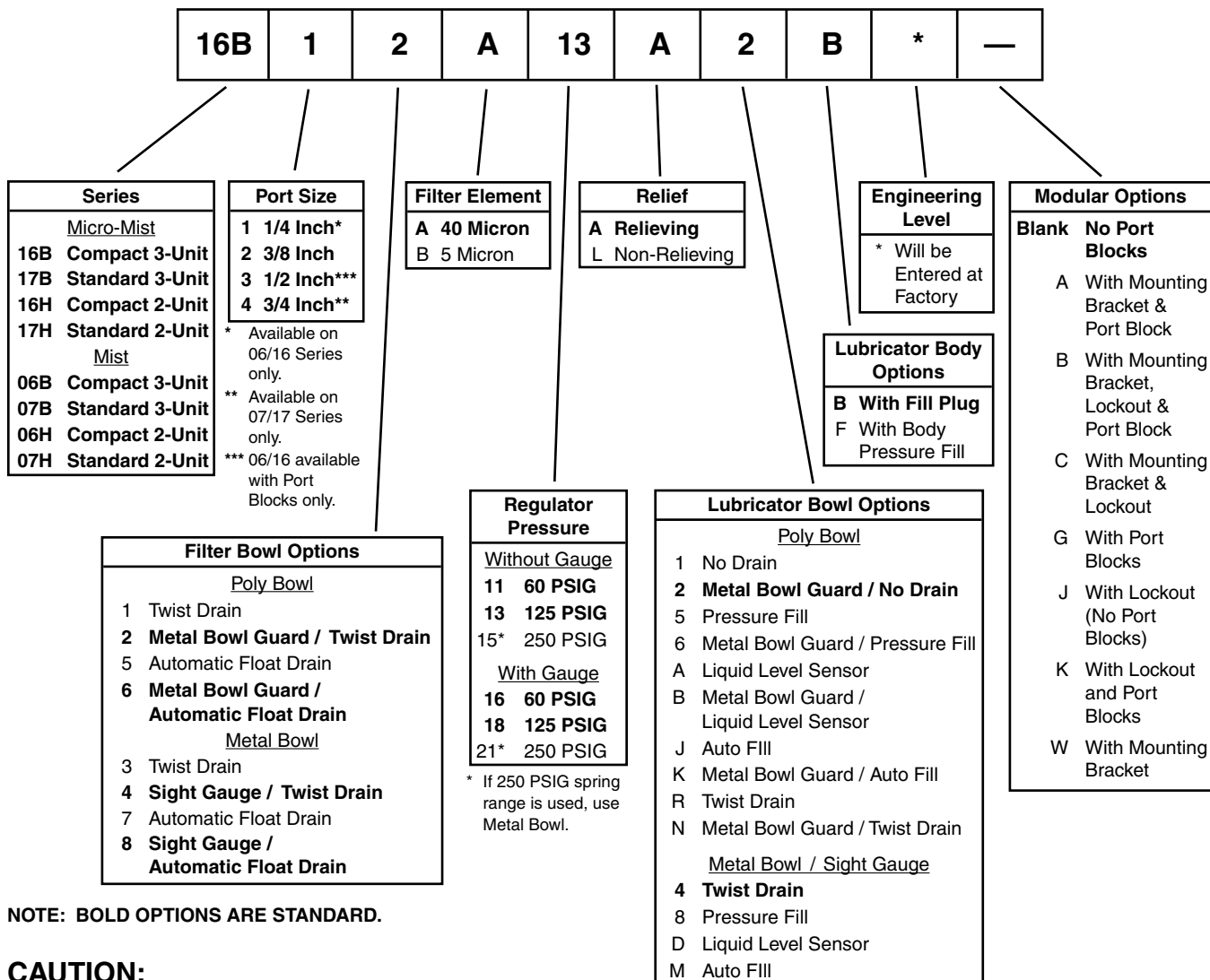
• All dimensions nominal.





Modular Combinations – 06 Compact & 07 Standard Series

Ordering Information



NOTE: BOLD OPTIONS ARE STANDARD.

CAUTION:

REGULATOR PRESSURE ADJUSTMENT – The working range of knob adjustment is designed to permit outlet pressures within their full range. Pressure adjustment beyond this range is also possible because the knob is not a limiting device. This is a common characteristic of most industrial regulators, and limiting devices may be obtained only by special design. For best performance, regulated pressure should always be set by increasing the pressure up to the desired setting.

⚠ WARNING

**Product rupture can cause serious injury.
 Do not connect regulator to bottled gas.
 Do not exceed maximum primary pressure rating.**

Kits & Accessories (See individual component sections for other kits and accessories.)

| | |
|--------------------------|--------|
| Body Connector Kit | PS754P |
| Lockout Valve | PS756P |
| Manifold Block | PS757P |
| Pressure Switches – | |
| DIN Connectors | P01909 |
| Flying Leads | P01908 |
| Wall Mounting Kit | PS755P |

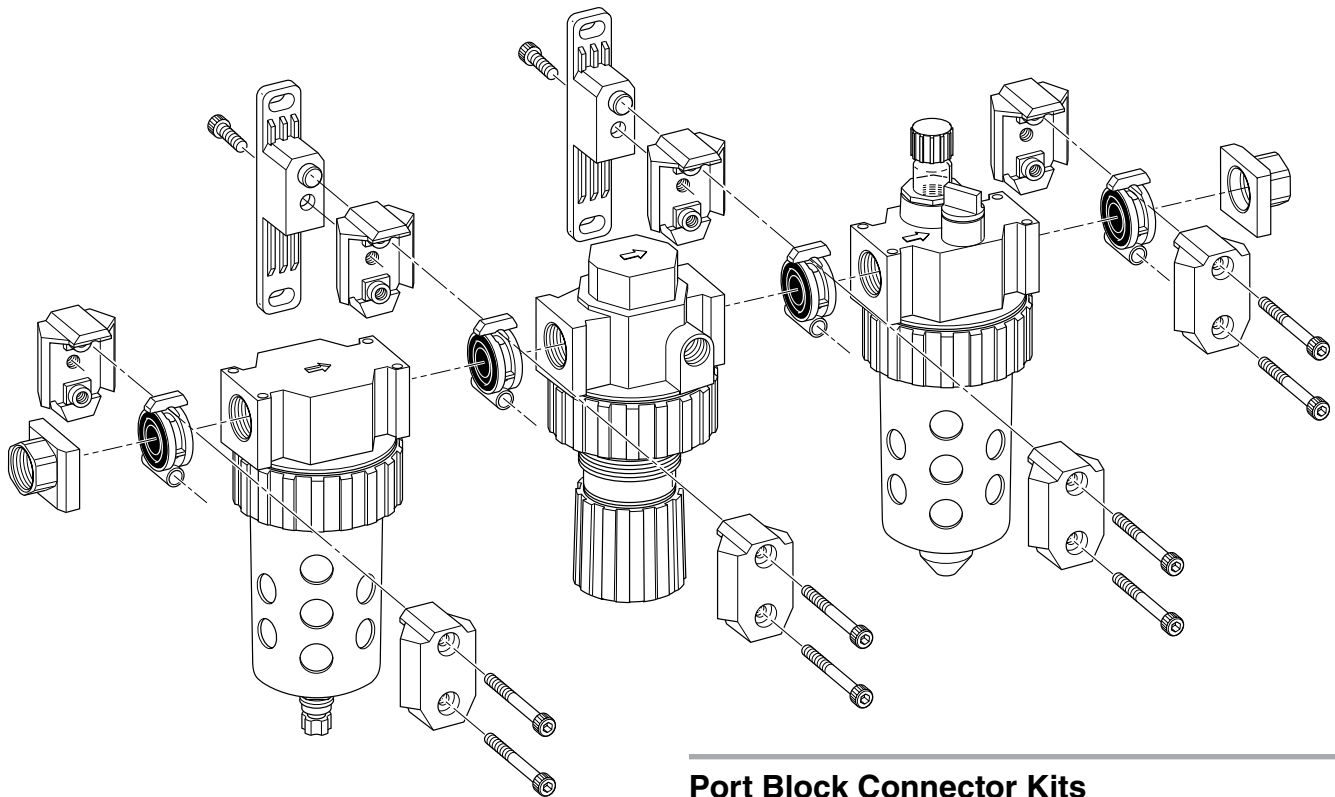
| | | | | |
|-------------------------|-------------------|---------------|---------------|-------------|
| Port Block Kits: | Size | NPT | BSPP | BSPT |
| 06 Series | 1/4" | PS750P | PS765P | PS761P |
| | 3/8" | PS751P | PS766P | PS762P |
| | 1/2" | PS752P* | PS767P* | PS799P* |
| 07 Series | 1/4" | PS850P | PS865P | PS861P |
| | 3/8" | PS851P | PS866P | PS862P |
| | 1/2" | PS852P | PS867P | PS863P |
| | 3/4" | PS853P | PS860P | PS864P* |

Use 1/4 or 3/8 ported bodies.





Modular Accessories – 06 Compact & 07 Standard Series



Port Block Connector Kits

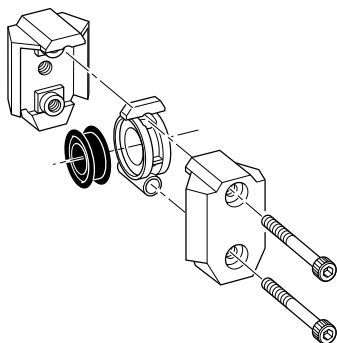
| Series | Size | NPT | BSPP | BSPT |
|------------------|------|---------|--------|--------|
| 06 Series | 1/4" | PS750P | PS765P | PS761P |
| | 3/8" | PS751P | PS766P | PS762P |
| | 1/2" | PS752P* | PS767P | PS799P |
| 07 Series | 1/4" | PS850P | PS865P | PS861P |
| | 3/8" | PS851P | PS866P | PS862P |
| | 1/2" | PS852P | PS867P | PS863P |
| | 3/4" | PS853P | PS860P | PS864P |

* Use 1/4 or 3/8 ported bodies.

Body Connectors

06 SeriesPS754P

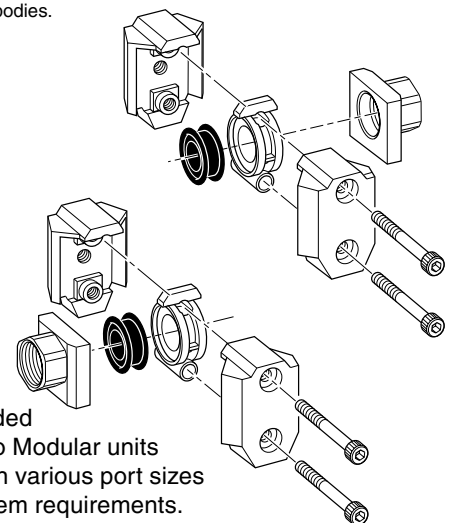
07 SeriesPS854P



Body Connectors allow you to easily assemble and disassemble Modular Combinations.

Each Kit includes one set.

Body Connectors are required whenever you assemble two or more pieces together.



Port Block Connectors allow you to make threaded port connections to Modular units and are available in various port sizes to match your system requirements.

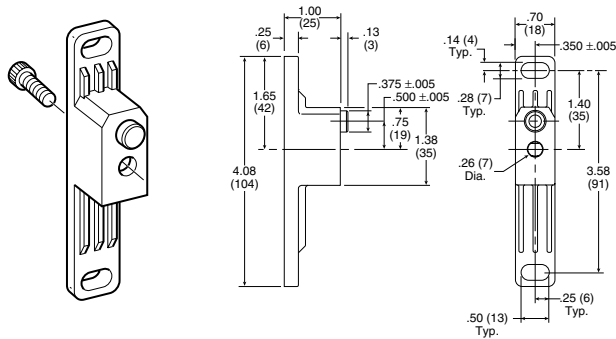
Each Kit includes all the necessary pieces to make two port connections.



Modular Accessories – 06 Compact & 07 Standard Series

Wall Mounting Kits

06 Series & 07 Series **PS755P**



Wall Mounting Kits are available for mounting your Modular Assemblies and can be assembled and used with any standard body connector set.

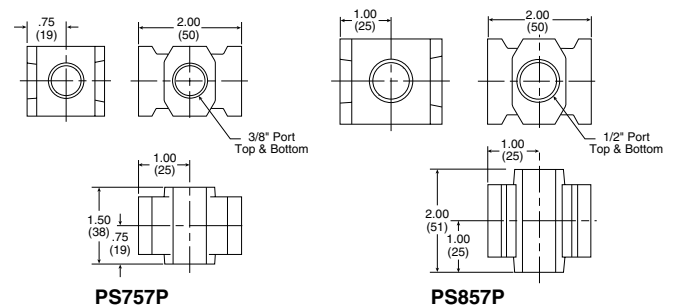
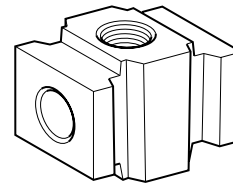
Since Modular Combinations are always identical in size, you can predrill for wall mounting on your equipment.

Kit includes 1 assembly.

Modular Manifold Block

06 Series **PS757P** **3/8" Port**

07 Series **PS857P** **1/2" Port**



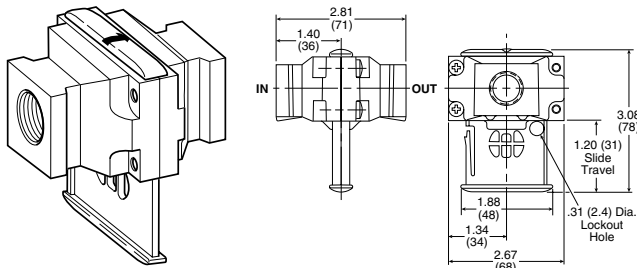
A Modular Manifold Block can be used between any two Modular units to give additional outlet ports. The Manifold Block provides 2 additional outlets in 3/8" and 1/2" sizes. Any standard pipe plug can be used to close off unused ports.

NOTE: Body Connectors are not supplied with Manifold Blocks.

Lockout Valves

06 Series **PS756P** **3/8" Port**

07 Series **PS856P** **1/2" Port**



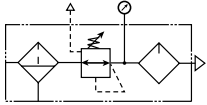
Lockout Valves provide positive shut-off and exhaust capability to isolate Modular units so they can be easily removed from the line and can be locked in a closed position. Center position can be used as a slow start. Accepts #3 padlock.

NOTE: Body Connectors are not supplied with Lockout Valves.

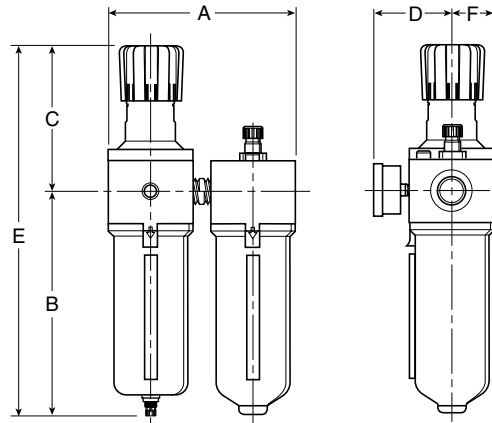
Close Nippled Combinations – P3N Hi-Flow Series

- Regulator can be mounted with knob in up or down position.
- See individual component pages for details.

Two-Unit Combo



- 40 Micron Filter Element
- Manual Twist Drain
- Relieving Regulator
- 125 PSI (8.6 bar)



| Series | Port | Model Numbers |
|--------|---------|-----------------|
| P3N3A | 3/4" | P3N3A96SGMNNLNA |
| | 1" | P3N3A98SGMNNLNA |
| | 1-1/2"† | P3N3A9PSGMNNLNA |

| A | B | C | D | E | F |
|---------------|---------------|---------------|--------------|----------------|--------------|
| 7.76 (197) | 9.57 (243) | 6.38 (162) | 3.56 (90) | 15.95 (405) | 1.81 (50) |

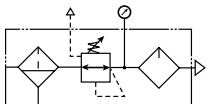
Inches (mm)

- All dimensions nominal.
- Mounting brackets not included (change last character in model number to "B" if required).
- Gauges not included (change 12th character to "G" if required).

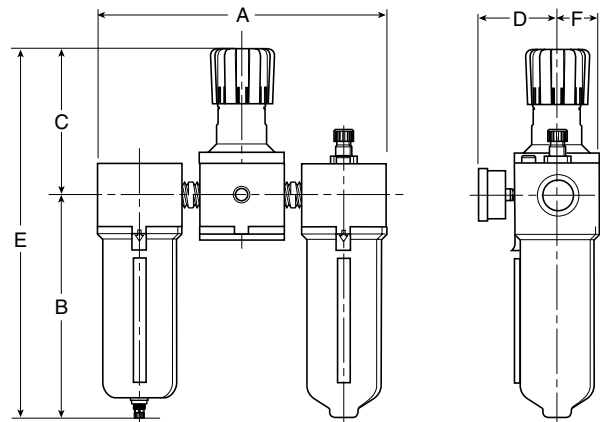
Notes: All Combo part numbers are with regulator knob in up position.
† 1" Port Body with 1-1/2" Port Block.

For other models, refer to Ordering Information on next page.

Three-Unit Combo



- 40 Micron Filter Element
- Manual Twist Drain
- Relieving Regulator
- 125 PSI (8.6 bar)



| Series | Port | Model Numbers |
|--------|---------|-----------------|
| P3N3B | 3/4" | P3N3B96SGMNNLNA |
| | 1" | P3N3B98SGMNNLNA |
| | 1-1/2"† | P3N3B9PSGMNNLNA |

| A | B | C | D | E | F |
|----------------|---------------|---------------|--------------|----------------|--------------|
| 11.89 (302) | 9.57 (243) | 6.38 (162) | 3.56 (90) | 15.95 (405) | 1.81 (50) |

Inches (mm)

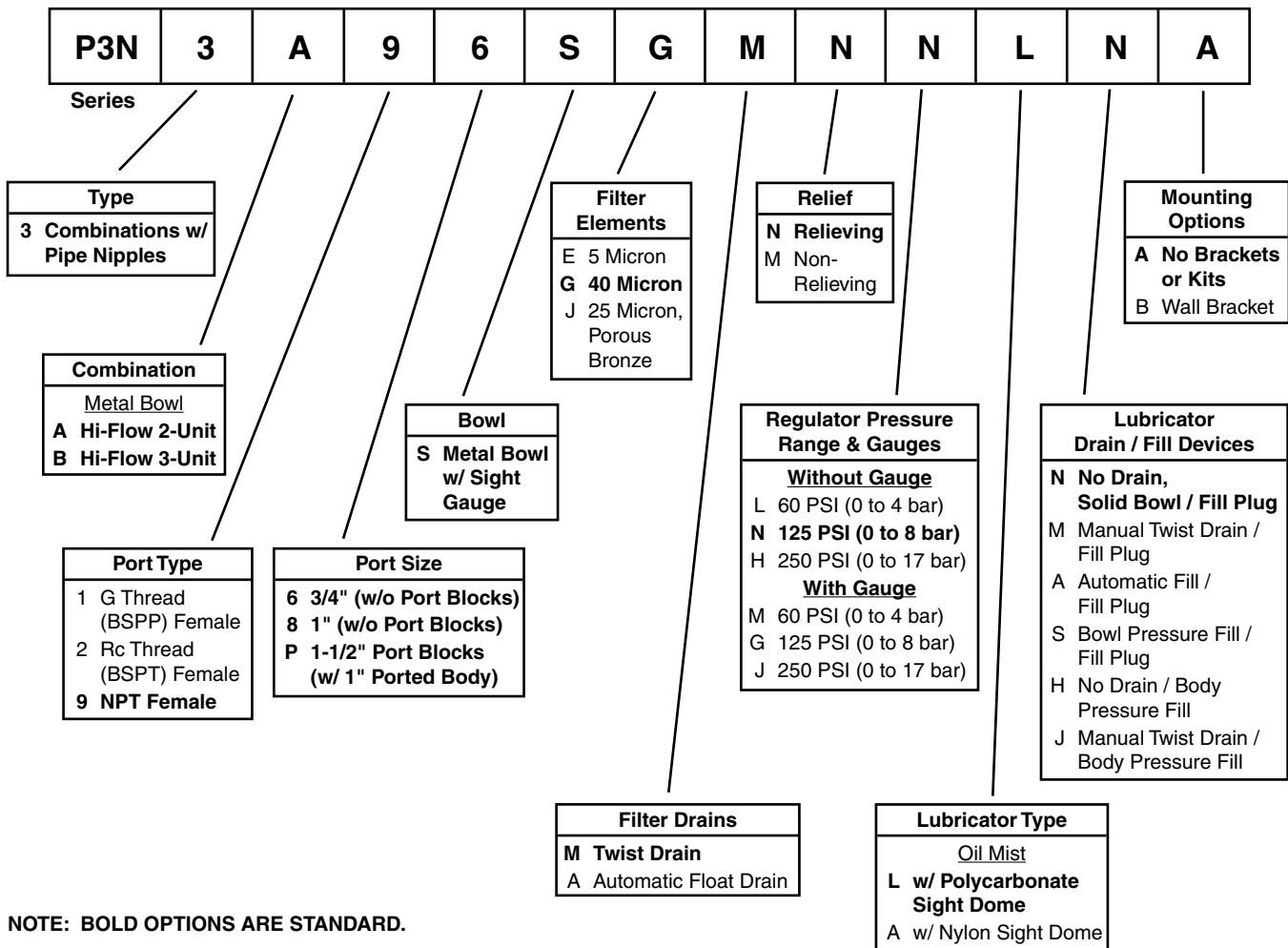
- All dimensions nominal.
- Mounting brackets not included (change last character in model number to "B" if required).
- Gauges not included (change 12th character to "G" if required).

Notes: All Combo part numbers are with regulator knob in up position.
† 1" Port Body with 1-1/2" Port Block.

For other models, refer to Ordering Information on next page.

Close Nipped Combinations – P3N Hi-Flow Series

Ordering Information



NOTE: BOLD OPTIONS ARE STANDARD.

CAUTION:

REGULATOR PRESSURE ADJUSTMENT – The working range of knob adjustment is designed to permit outlet pressures within their full range. Pressure adjustment beyond this range is also possible because the knob is not a limiting device. This is a common characteristic of most industrial regulators, and limiting devices may be obtained only by special design. For best performance, regulated pressure should always be set by increasing the pressure up to the desired setting.

⚠ WARNING

**Product rupture can cause serious injury.
 Do not connect regulator to bottled gas.
 Do not exceed maximum primary pressure rating.**

Kits & Accessories (See individual component sections for other kits and accessories.)

Wall Mounting Kit* P3NKA00MW

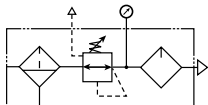
* If 1-1/2 BSPP E02 fittings are required, use P3NKA0BMW.



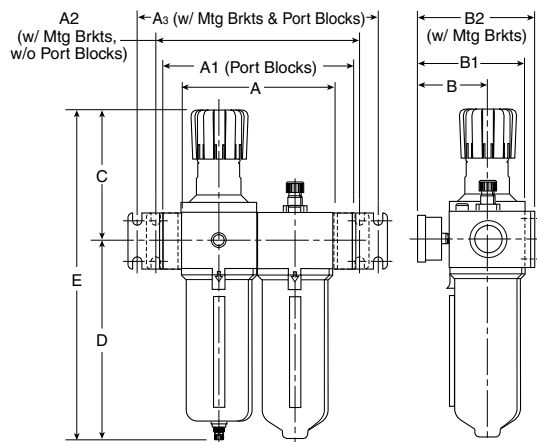
Modular Combinations – P3N Hi-Flow Series

- Regulator can be mounted with knob in up or down position.
- See individual component pages for details.

Two-Unit Combo



- 40 Micron Filter Element
- Manual Twist Drain
- Relieving Regulator
- 125 PSI (8.6 bar)



| Series | Port | Model Numbers |
|--------|----------|-----------------|
| P3NCA | 3/4" | P3NCA96SGMNNLNA |
| | 1" | P3NCA98SGMNNLNA |
| | 1-1/2" † | P3NCA9PSGMNNLNA |

| A | A1 | A2 | A3 | B | B1 | B2 |
|---------------|---------------|----------------|----------------|--------------|---------------|---------------|
| 7.24 (184) | 9.53 (242) | 9.84 (250) | 12.13 (308) | 3.62 (92) | 5.20 (132) | 5.74 (146) |
| C | D | E | | | | |
| 6.38 (162) | 9.57 (243) | 15.95 (405) | | | | |

Notes: All Combo part numbers are with regulator knob in up position.

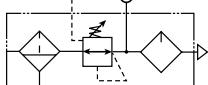
† 1" Port Body with 1-1/2" Port Block.

For other models, refer to Ordering Information on next page.

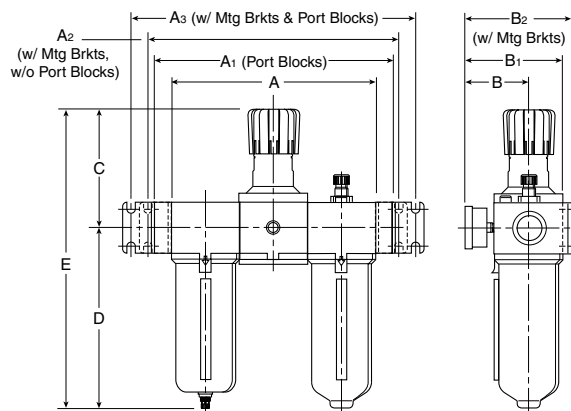
Inches (mm)

- All dimensions nominal.
- Mounting brackets not included (change last character in model number to "B" if required).
- Gauges not included (change 12th character to "G" if required).

Three-Unit Combo



- 40 Micron Filter Element
- Manual Twist Drain
- Relieving Regulator
- 125 PSI (8.6 bar)



| Series | Port | Model Numbers |
|--------|---------|-----------------|
| P3NCB | 3/4" | P3NCB96SGMNNLNA |
| | 1" | P3NCB98SGMNNLNA |
| | 1-1/2"† | P3NCB9PSGMNNLNA |

| A | A1 | A2 | A3 | B | B1 | B2 |
|-----------------|----------------|----------------|----------------|--------------|---------------|---------------|
| 10.87 (2764) | 13.15 (334) | 13.46 (342) | 15.75 (400) | 3.62 (92) | 5.20 (132) | 5.74 (146) |
| C | D | E | | | | |
| 6.38 (162) | 9.57 (243) | 15.95 (405) | | | | |

Notes: All Combo part numbers are with regulator knob in up position.

† 1" Port Body with 1-1/2" Port Block.

For other models, refer to Ordering Information on next page.

Inches (mm)

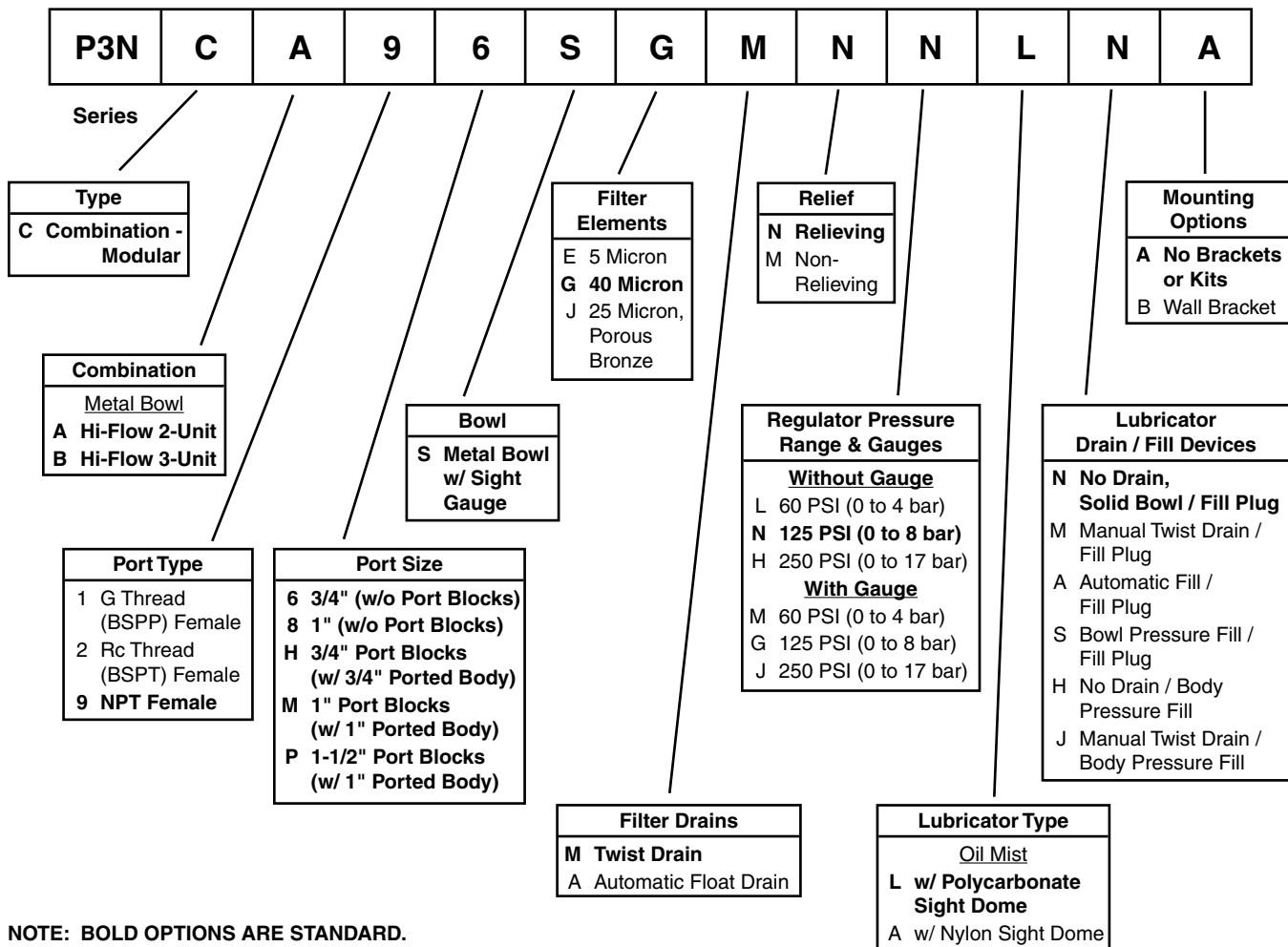
- All dimensions nominal.
- Mounting brackets not included (change last character in model number to "B" if required).
- Gauges not included (change 12th character to "G" if required).



Filters,
Regulators,
Lubricators

Modular Combinations – P3N Hi-Flow Series

Ordering Information



NOTE: BOLD OPTIONS ARE STANDARD.

CAUTION:

REGULATOR PRESSURE ADJUSTMENT – The working range of knob adjustment is designed to permit outlet pressures within their full range. Pressure adjustment beyond this range is also possible because the knob is not a limiting device. This is a common characteristic of most industrial regulators, and limiting devices may be obtained only by special design.
 For best performance, regulated pressure should always be set by increasing the pressure up to the desired setting.

⚠ WARNING

**Product rupture can cause serious injury.
 Do not connect regulator to bottled gas.
 Do not exceed maximum primary pressure rating.**

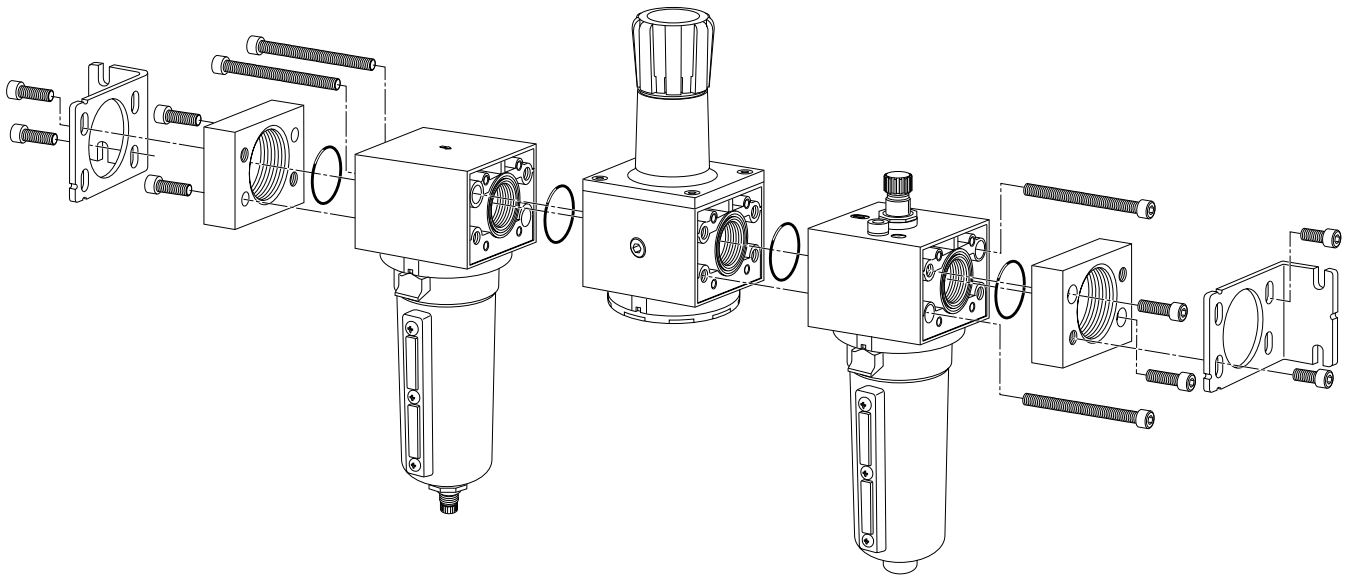
Kits & Accessories (See individual component sections for other kits and accessories.)

| | | | | | | | | | | | | | |
|--|-----------------|-----------------|-----------------|--------|-----------|-----------------|-----------------|-----------------|------------|-----------------|-----------------|-----------------|--|
| <p>Port Block Kits: For Modular Combinations</p> <table style="width: 100%; border-collapse: collapse;"> <tr> <td></td> <td style="text-align: center;">3/4"</td> <td style="text-align: center;">1"</td> <td style="text-align: center;">1-1/2"</td> </tr> <tr> <td>NPT</td> <td>P3NKB96CL</td> <td>P3NKB98CL</td> <td>P3NKB9BCL</td> </tr> <tr> <td>BSPP</td> <td>P3NKB16CL</td> <td>P3NKB18CL</td> <td>P3NKB1BCL</td> </tr> </table> | | 3/4" | 1" | 1-1/2" | NPT | P3NKB96CL | P3NKB98CL | P3NKB9BCL | BSPP | P3NKB16CL | P3NKB18CL | P3NKB1BCL | <p>Wall Mounting Kit* P3NKA00MW</p> <p><small>* If 1-1/2 BSPP E02 fittings are required, use P3NKA0BMW.</small></p> |
| | 3/4" | 1" | 1-1/2" | | | | | | | | | | |
| NPT | P3NKB96CL | P3NKB98CL | P3NKB9BCL | | | | | | | | | | |
| BSPP | P3NKB16CL | P3NKB18CL | P3NKB1BCL | | | | | | | | | | |





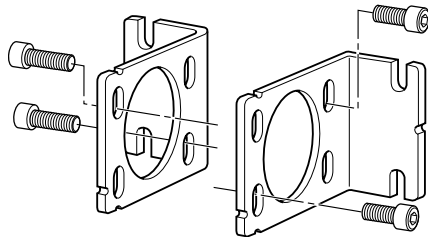
Modular Accessories – P3N Hi-Flow Series



Mounting Brackets

P3NKA00MW

For 1-1/2" BSPP Port Block with E02 fitting application, use **Mounting Bracket Kit P3NKA00MW**



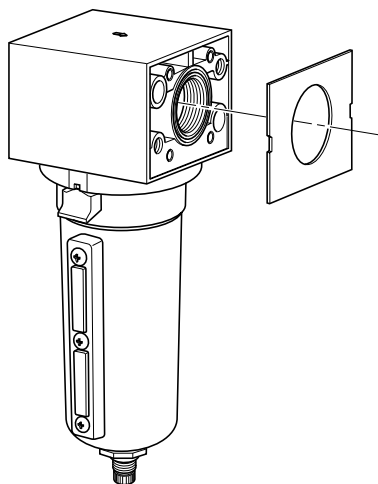
For modular combinations, one side has groove and the mating side is flat. Use the o-ring seal provided in the groove. For some modular combinations, both surfaces may have grooves. In those applications, use o-ring in one groove and square seal provided in the other.

Replacement Body Covers

P3NKA00PM

Each Kit contains two covers.

All units are shipped with body covers.



Port Block Kits

3/4"

1"

1-1/2"

Individual Filters, Individual Regulators and 2-Piece Filter and Regulator Assemblies:

NPT P3NKB96CP P3NKB98CP P3NKB9BCP

BSPP P3NKB16CP P3NKB18CP P3NKB1BCP

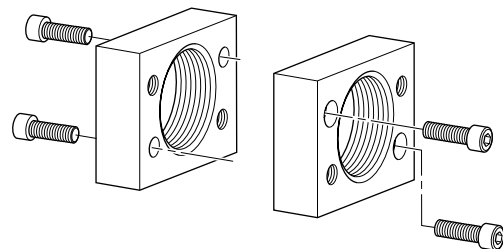
2 and 3 Piece Combinations including a Lubricator (FR/L & FRL), Individual Lubricators, Individual Coalescing Filters and 2-Piece Filter and Coalescer Assemblies:

NPT P3NKB96CL P3NKB98CL P3NKB9BCL

BSPP P3NKB16CL P3NKB18CL P3NKB1BCL

Port Block Kits allow units to be installed or removed as modular components.

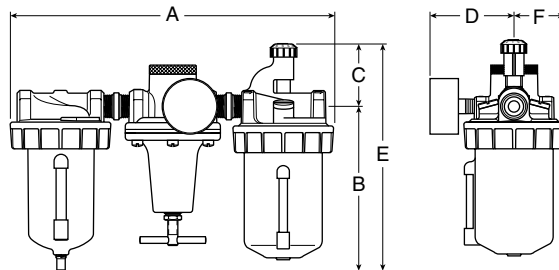
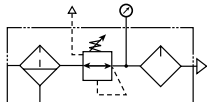
Each Kit includes all the necessary pieces to make two port connections.



Standard Combinations – C628 Series

- See individual component pages for details.
- Gauges included on combinations.

Three-Unit Combo



| Series | Port | Model Numbers |
|--------|--------|-----------------------|
| C628 | 3/4" | C628-06FRLWJCW |
| | 1" | C628-08FRLWJCW |
| | 1-1/4" | C628-10FRLWJCW |
| | 1-1/2" | C628-12FRLWJCW |

| A | B | C | D | E | F |
|-------------------------------|---------------|---------------|--------------|----------------|--------------|
| C628-06FRL, C628-08FRL | | | | | |
| 15.75 (400) | 7.75 (197) | 5.25 (133) | 3.52 (89) | 13.00 (330) | 2.48 (63) |
| C628-10FRL, C628-12FRL | | | | | |
| 16.50 (419) | 8.13 (206) | 6.00 (152) | 3.86 (98) | 14.13 (359) | 2.64 (67) |

Inches (mm)

• All dimensions nominal.

For other models, refer to ordering information below.

Ordering Information



| Port Size |
|---------------|
| 06 3/4 Inch |
| 08 1 Inch |
| 10 1-1/4 Inch |
| 12 1-1/2 Inch |

| Filter Bowl Options |
|--|
| E 32 oz. Large Capacity wo/Sight Gauge |
| W 16 oz. Metal w/Sight Gauge |

| Elements |
|--------------------|
| G 5 Micron |
| J 40 Micron |

| Regulator Reduced Pressure Range |
|----------------------------------|
| C 0-125 PSIG |
| D 0-250 PSIG |

| Drains and Options |
|---|
| H Button Head Fill Fitting (Lubricator) |
| K Non-Relieving Regulator |
| Q External Heavy Duty Auto Drain (Filter) |
| R Internal Auto Drain (Filter) |
| X9 Manual Twist Drain on Lubricator (Increases Product Length by 9/16 Inch) |

NOTE: BOLD OPTIONS ARE STANDARD.

| Lubricator Bowl Options |
|--|
| E 32 oz. Large Capacity wo/Sight Gauge |
| W 16 oz. Metal w/Sight Gauge |

CAUTION:

REGULATOR PRESSURE ADJUSTMENT – The working range of knob adjustment is designed to permit outlet pressures within their full range. Pressure adjustment beyond this range is also possible because the knob is not a limiting device. This is a common characteristic of most industrial regulators, and limiting devices may be obtained only by special design. For best performance, regulated pressure should always be set by increasing the pressure up to the desired setting.

| |
|--|
| ⚠ WARNING |
| Product rupture can cause serious injury. Do not connect regulator to bottled gas. Do not exceed maximum primary pressure rating. |

 **CAUTION:**

Polycarbonate bowls, being transparent and tough, are ideal for use with Filters and Lubricators. They are suitable for use in normal industrial environments, but should not be located in areas where they could be subjected to direct sunlight, an impact blow, nor temperatures outside of the rated range. As with most plastics, some chemicals can cause damage. Polycarbonate bowls should not be exposed to chlorinated hydro-carbons, ketones, esters and certain alcohols. They should not be used in air systems where compressors are lubricated with fire-resistant fluids such as phosphate ester and di-ester types.

Metal bowls are recommended where ambient and/or media conditions are not compatible with polycarbonate bowls. Metal bowls resist the action of most such solvents, but should not be used where strong acids or bases are present or in salt laden atmospheres. Consult the factory for specific recommendations where these conditions exist.

TO CLEAN POLYCARBONATE BOWLS USE MILD SOAP AND WATER ONLY! DO NOT use cleansing agents such as acetone, benzene, carbon tetrachloride, gasoline, toluene, etc., which are damaging to this plastic.

Metal bowl guards are recommended for all applications.

 **CAUTION:**

REGULATOR PRESSURE ADJUSTMENT – The working range of knob adjustment is designed to permit outlet pressures within their full range. Pressure adjustment beyond this range is also possible because the knob is not a limiting device. This is a common characteristic of most industrial regulators, and limiting devices may be obtained only by special design.